

1 CHARGE & LOAD BATTERY

TO CHARGE: Plug the charger (sold separately) into a power outlet and the DC plug into the battery jack (A).

TO LOAD: Slide the battery along the bottom of the printer from front to back until it clicks into place.

TO REMOVE: Depress the latch on the back of the battery and slide the battery forward.

IMPORTANT! Charge the battery for 12 hours prior to first use. Full charging can take up to 12 hours with the trickle charger or 2 hours with the fast charger.

2 CABLE OPTION

A.) Insert the cable (ordered separately) into the strain relief clip.

B.) Connect the RJ45 cable to the printer.

C.) Attach the strain relief clip to the top of the printer with the screw.

IMPORTANT! Do not use too much force when attaching the strain relief screw or risk damaging the printer and/or clip.

3 LOAD MEDIA

TO OPEN: Push UP the yellow tabs (A) and pull the door out (B).

TO LOAD: Secure the media roll between the guides.

Lay the loose end of the media over the center of the rubber roller.

TO CLOSE: Press the front cover until you hear the cover click. Press the FEED button to position the label.

IMPORTANT! The label imaging surface must be centered and face up. Latch both sides of the door to ensure proper print quality.

4 BUTTONS & LIGHT

Press Power (A) to turn the printer on. Press Feed (B) to feed a label. The light (C) indicates:

- Steady green: Label feeding or printing, ready to print.
- Slow blinking green: Power save mode, ready to print.
- Fast blinking green: Receiving data.
- Green/red alternating: Printing a test label, hex dump mode.
- Red Blinking: Low battery.
- No LED: Power off.

See Programmer's Guide to adjust the power-save modes.

5 BELT CLIP & ACCESSORIES

Attach the belt clip by holding it perpendicular, at a 90° angle, to the printer. To remove the clip depress the latch (A) and reverse this operation. In normal use, the printer will not unclip accidentally.

Contact Cognitive for other accessories, including:

- Shoulder strap
- All-weather carrying case

6 PEELER OPTION

Remove several labels from the label backing. Open the peeler (A) and feed the label **over the peelbar** and under the peeler mechanism (B). Center the label backing and close the peeler.

7 SELF TEST

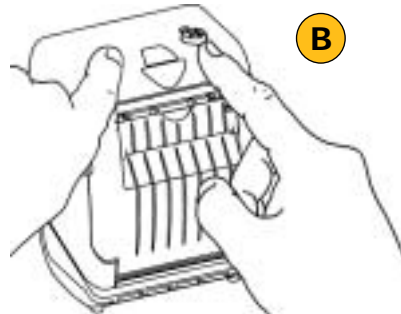
Run the self diagnostic test to verify performance.

IMPORTANT! The printer should contain a media roll and be ready to print.

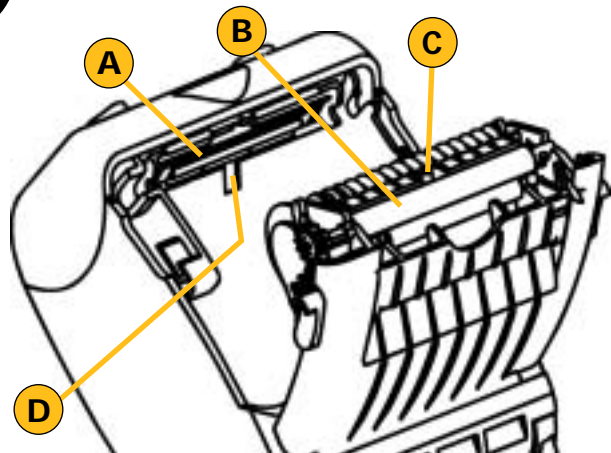
A. Press and hold the FEED button.

B. Press and release the POWER button while holding the FEED button. Release the FEED button when the printer starts to print a self test label.

C. After the self-test label prints, immediately press FEED to calibrate the printer or wait 3 seconds and then press POWER to return the printer to READY state.



8 MAINTENANCE Every 7,000 inches



Clean the print head (A), drive roller (B) and sensors (C, D) with a soft, lint free cloth saturated with 99% isopropyl alcohol. As applicable, also clean the peeler roller and label taken sensor (not shown).

IMPORTANT! Turn off power and remove battery. Incorrectly cleaning the printer voids the warranty. Cognitive recommends using a certified cleaning pen, 60-14-00-0002.

i GENERAL INFORMATION

Refer to your CD-ROM for more detailed information. Refer to the Cognitive web site for the latest firmware and software upgrades, including printer drivers.

Contact Cognitive for all your supply needs, including media and cleaning pens.

WARNING - ELECTRONIC COMPONENTS:



DO NOT TOUCH the print head or the electronic components under the print head carriage.

CAUTION - PRINTER SETUP & HANDLING:



REMOVE BATTERY before: (1) connecting any cables, (2) performing any cleaning or maintenance operations.

CE DECLARATION OF CONFORMITY



This is a Class B digital device applying the EMC Directive 89/336/EEC.

FCC DECLARATION OF CONFORMITY:



Tested to comply with FCC Standards FOR HOME OR OFFICE USE. This equipment has been tested and found to comply with the limits for a Class B digital device, pursuant to Part 15 of the FCC Rules. These limits are designed to provide reasonable protection against harmful interference in a residential installation. This equipment generates, uses, and can radiate radio frequency energy and, if not installed and used in accordance with the instructions, may cause harmful interference to radio communications. However, there is no guarantee that interference will not occur in a particular installation.

INDUSTRY CANADA NOTICE:

This Class B digital apparatus complies with Canadian ICES-003 requirements. Cet appareil numérique de la classe B est conforme a la norme NMB-003 du Canada.

IMPORTANT BATTERY INFORMATION:



Refer to local ordinances and/or regulations for battery disposal and recycling. Do not heat or expose battery to fire. Danger of explosion, leakage, fire or hazard if battery is mishandled or disposed of incorrectly. Do not connect the battery's terminals directly or allow them to come in contact with metal items. Use only with Cognitive certified battery chargers.

USA

691 Corporate Circle
Golden, CO 80401
Tel: +1.303.273.1400
Toll Free: 800.525.2785
Fax: +1.303.273.1414
E-mail: info@cognitive.com

Europe

Atlantic Street
Altrincham, Cheshire, WA14 5QJ
United Kingdom
Tel: +44.161.929.9933
Fax: +44.161.927.7664
E-mail: europesales@cognitive.com

Technical Support

Toll Free: 888.715.7190
Fax: +1.303.590.0518
E-mail: support@cognitive.com

Japan*

CJP
2-23-2 Higashi-Ikebukuro
Toshima-Ku
TOKYO 170-0013 Japan
Tel: +81.3.5391.7681
Fax: +81.3.5391.7692
E-mail: japansales@cognitive.com

Asia-Pacific*

DH Technology
PO Box 677
Level 3, 39 Leighton Place
Hornsby NSW 2077 Australia
Tel: +61.2.9477.1999
Fax: +61.2.9477.1453
E-mail: asiasales@cognitive.com

*Authorized distributor.

Cognitive

www.cognitive.com
TEL +1 303-273-1400 TOLL FREE 800-525-2785 FAX +1 303-273-1414
691 Corporate Circle Golden, CO 80401

Copyright © 2000-2002 Cognitive. Cognitive and Code Ranger are trademarks of Cognitive. No part of this manual may be reproduced for any purpose or in any form, including electronic storage and retrieval, without the express permission of Cognitive. 101-167-02 July 2002



Code★Ranger

The following standard items are included with the printer:

- Printer
- Battery
- Swivel Belt Clip
- Cable Strain Relief
- Companion CD ROM
- This Quick Start Guide

Cognitive
www.cognitive.com